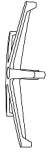

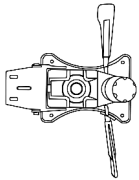
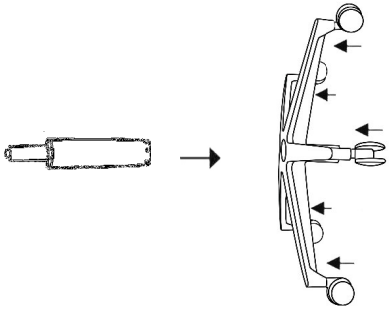



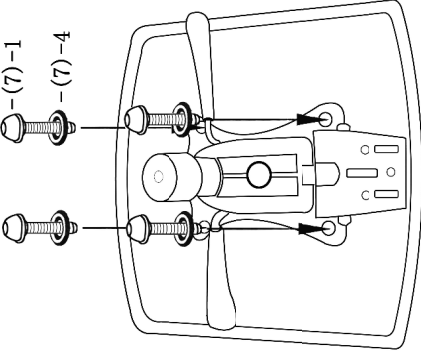
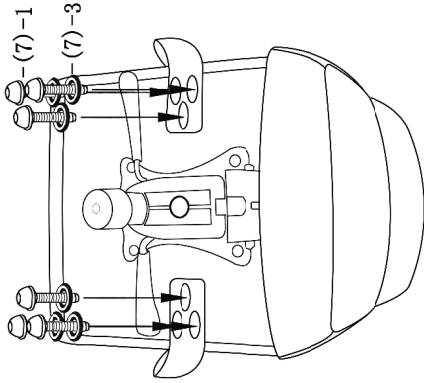
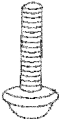
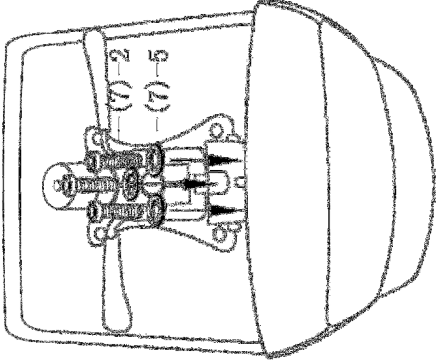

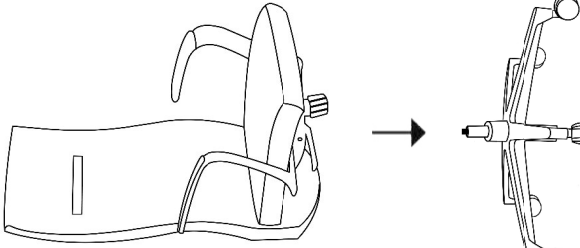

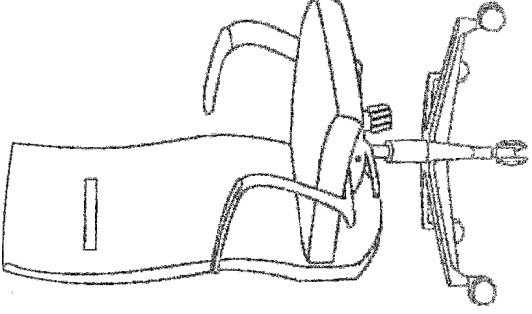






Assembling Instruction

(1) Base	(2) Gas Column	(3) Mechanism	A
 X5			
(4) Armrest  X2	(5) Back 	(6) Seat 	B 
(7) Screws			D 
1.	 X10	6X25MM	C 
2.	 X3	8X16MM	E 
3.	 X6	6X16MM	F 
4.	 X4	6X20MM	
5.	 X3	8X20MM	
6.	 X1	5MM	
7.	 X1	6MM	