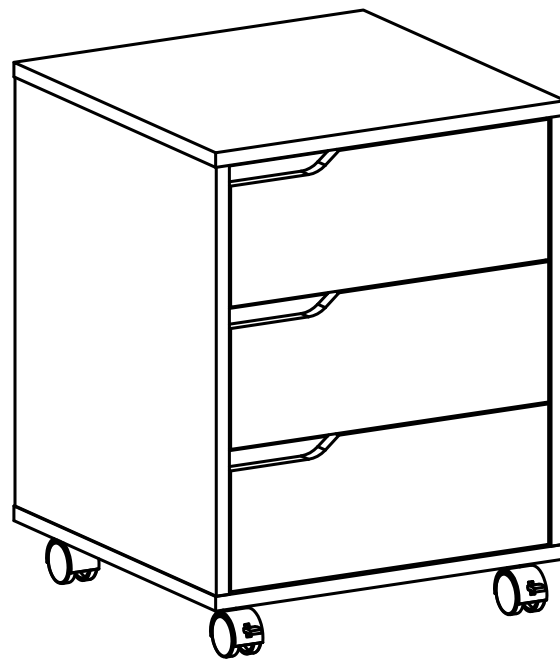


English

FILING CABINET

ASSEMBLY INSTRUCTION

Thanks for purchasing one of our products, please read carefully the assembly instructions before the installation (Attention: Do not tighten the screws before all screws are in place).



**TWO PEOPLE
REQUIRED**

S-30

General Care:

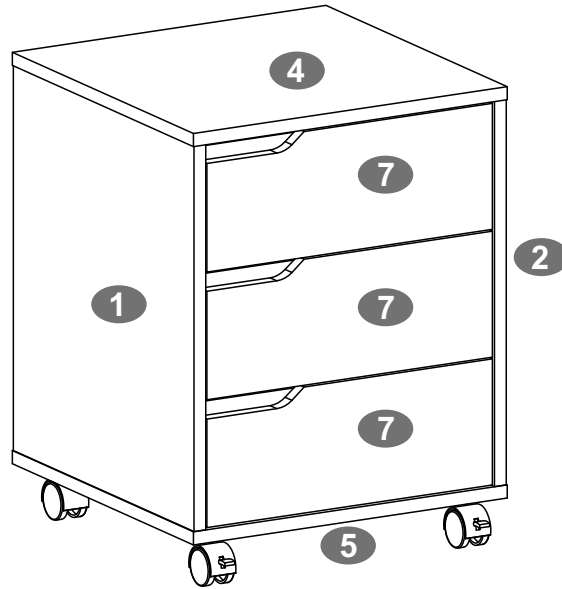
-Keep your furniture out direct sunlight-Use desk pads and coasters to protect the surface from dents,scratches,and moisture from hot or cold liquids.

Cleaning:

-For cleaning, wipe the surface with a damp (not wet) cloth or wipe dry with a clean lint free cotton cloth.
-Window cleaning liquid or a similar cleaning liquid can be used to clean glass surface.


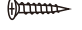



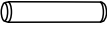
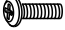



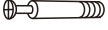


■ PARTS LIST

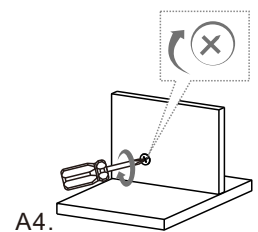
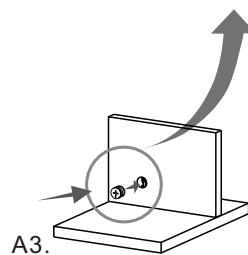
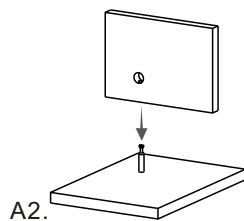
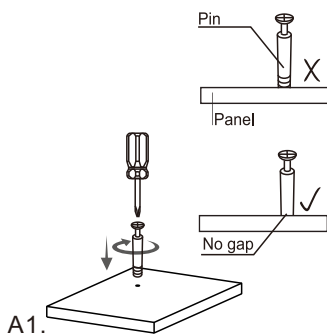
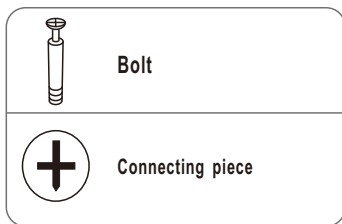


 X1	 X1	 X1	 X1
 X1	 X2	 X3	 X3
 X3	 X3	 X3	 X3
			 X6

▪SCREWS LIST

PART	QTY.	ITEM		PART	QTY.	ITEM	
A	24	3X15 MM		G	12	3X12 MM	
B	8	6X40 MM		H	8	Φ 15 MM	
C	16	4X14 MM		I	8	8X30 MM	
D	6	6X15 MM		J	4	Φ 12 MM	
E	12	4X35 MM			1		
F	4	6X25 MM					

6X40MM & 6x25MM BOLT INSTALLATION AS BELOW:



ASSEMBLY STEPS:

1

Left
Right

12 X2

12 X2

SCREWS

A 3X15 MM
x8

I 8X30 MM
x8

2

1

3

2

SCREWS

F 6X25 MM
x4

J Φ 12 MM
x4

3

1

2

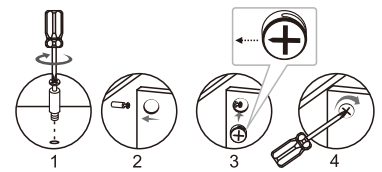
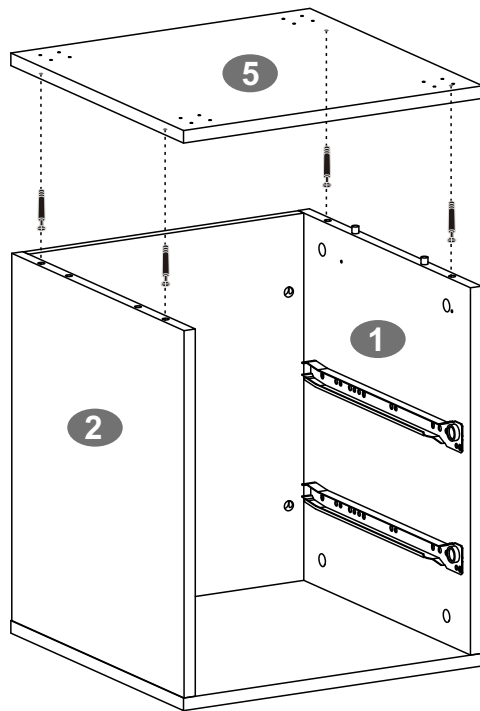
4

SCREWS

B 6X40 MM
x4

H Φ 15 MM
x4

4



SCREWS

B 6X40 MM

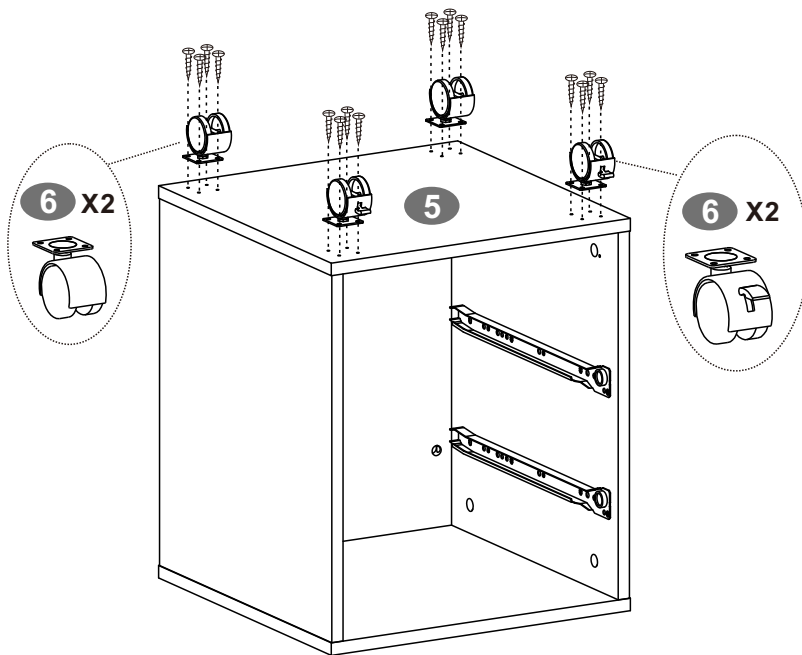
x4

H Φ 15 MM

x4



5



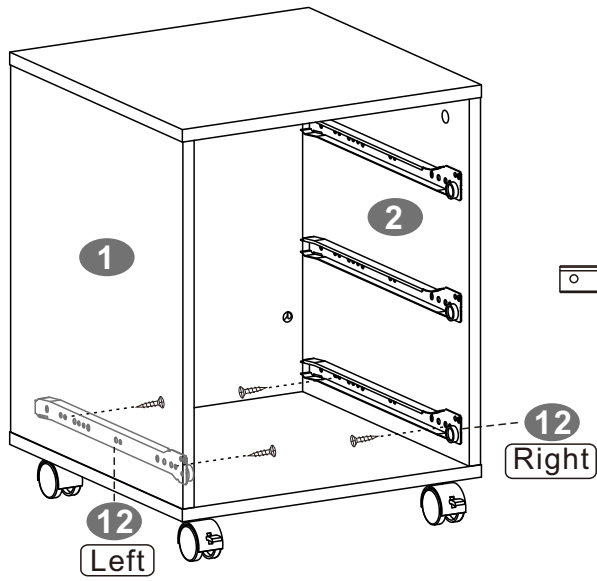
SCREWS

C 4X14 MM

x16



6



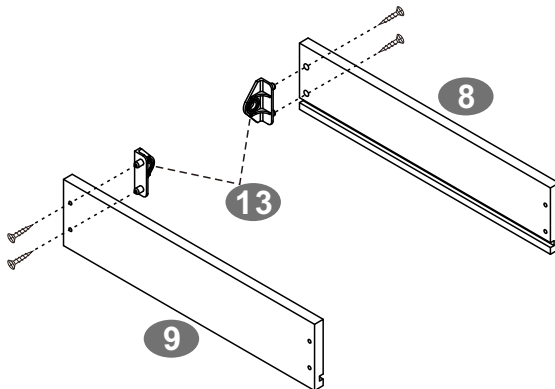
■ SCREWS

A 3X15 MM

 x4



7



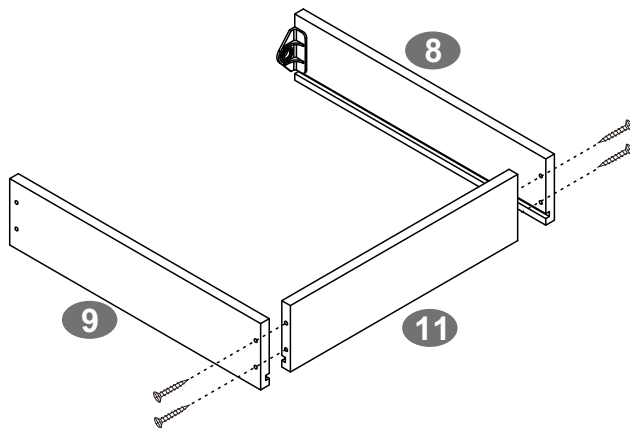
■ SCREWS

G 3X12 MM

 x4



8



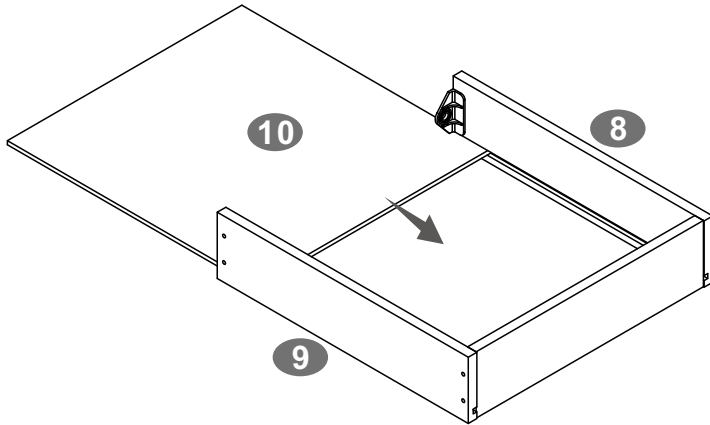
■ SCREWS

E 4X35 MM

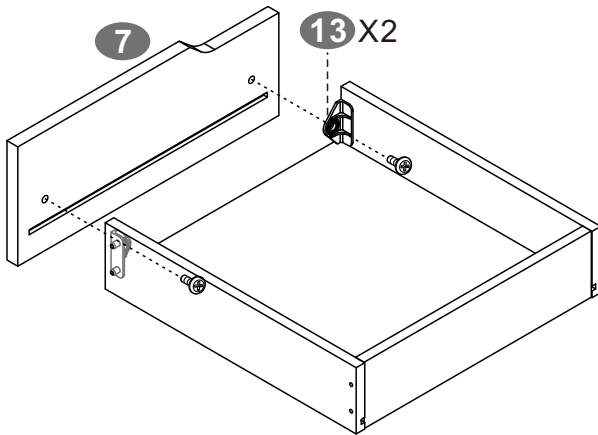
 X4



9



10



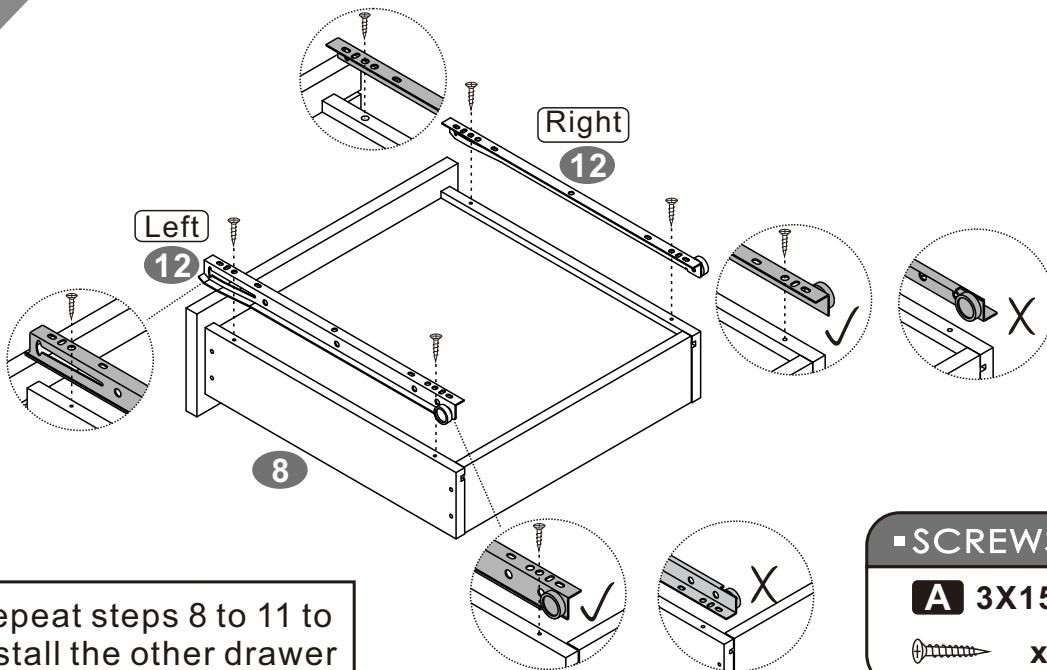
▪ SCREWS

D 6X15 MM

 x2



11



▪ SCREWS

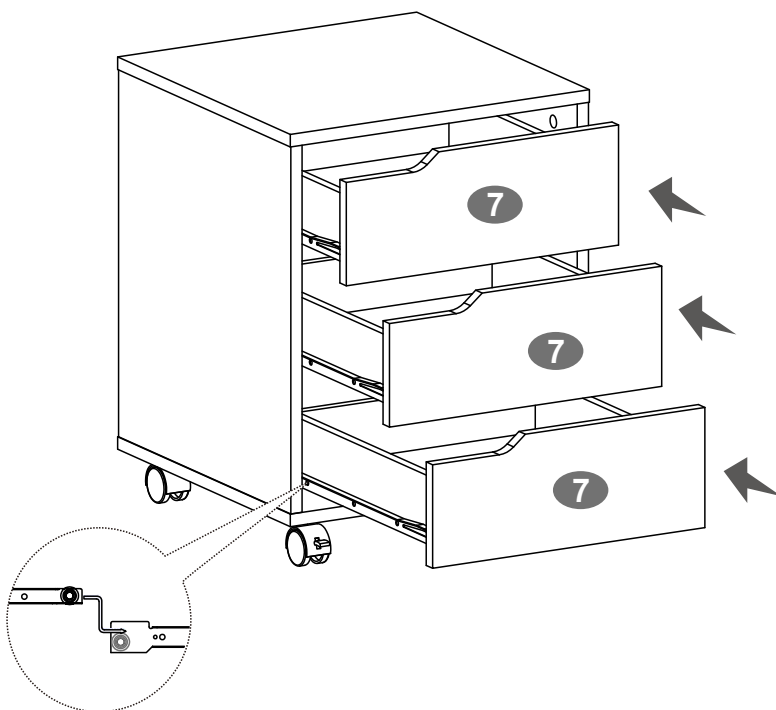
A 3X15 MM

 x4



Repeat steps 8 to 11 to install the other drawer

12



13

