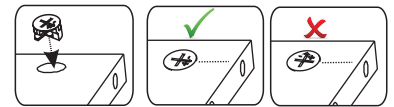
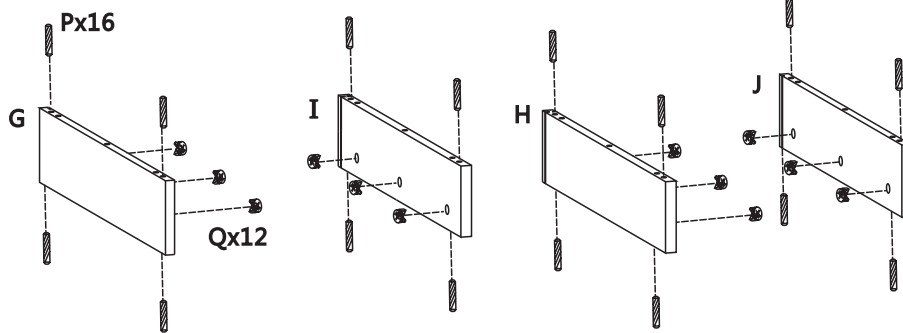
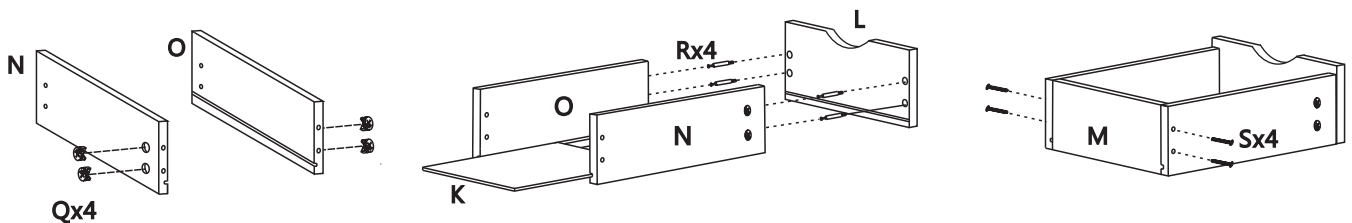


Ax1 1200x580x18	Bx1 1200x580x18	Cx4 606x114x15	Dx1 606x114x15	Ex1 616x124x2.5			
Fx2 274x124x2.5	Gx1 578x114x15	Hx1 578x114x15	Ix1 578x114x15	Jx1 578x114x15			
Kx2 312x237x2.5	Lx2 260x110x15	Mx2 227x104x15	Nx2 320x104x15	Ox2 320x104x15			
Px20 φ 8x35	Qx20 φ 8x35	Rx20 M6x40	Sx8 φ 5x40	Tx24 M6x15	Ux12 φ 7x38	Vx1 φ 7x38	Wx4 φ 7x38

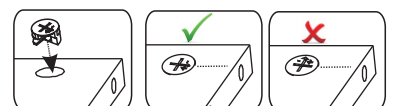
1



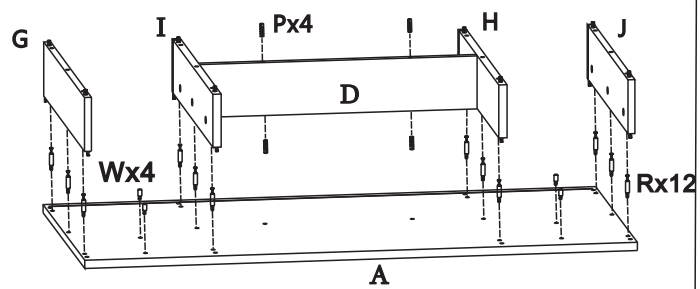
2



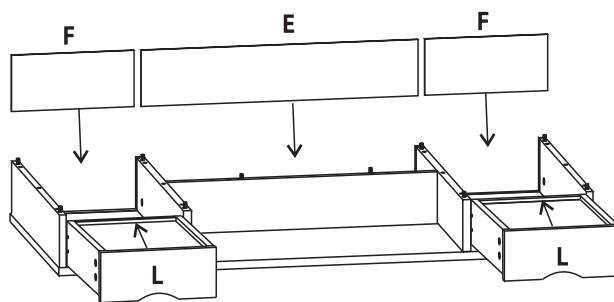
x2



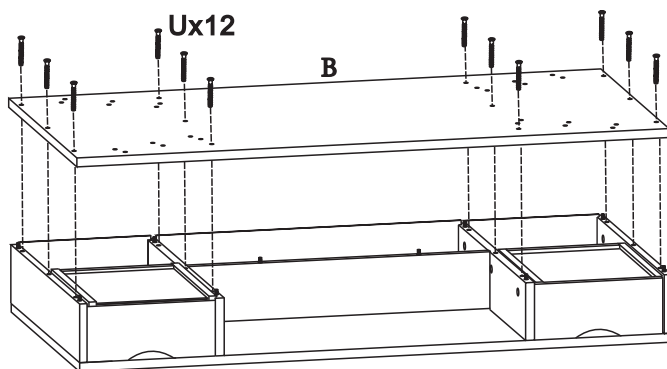
3



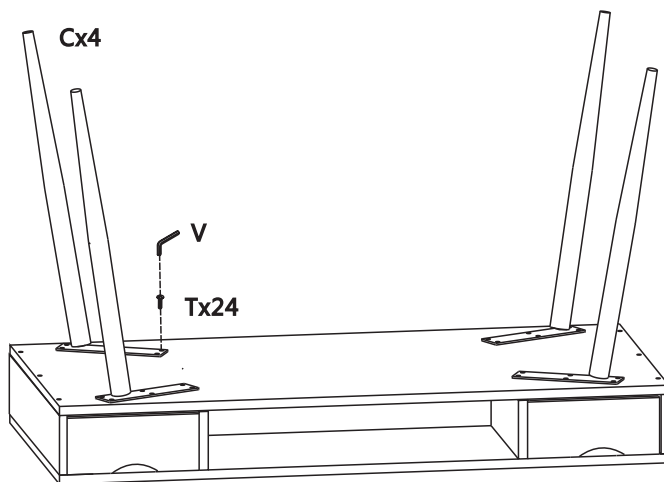
4



5



6



7

