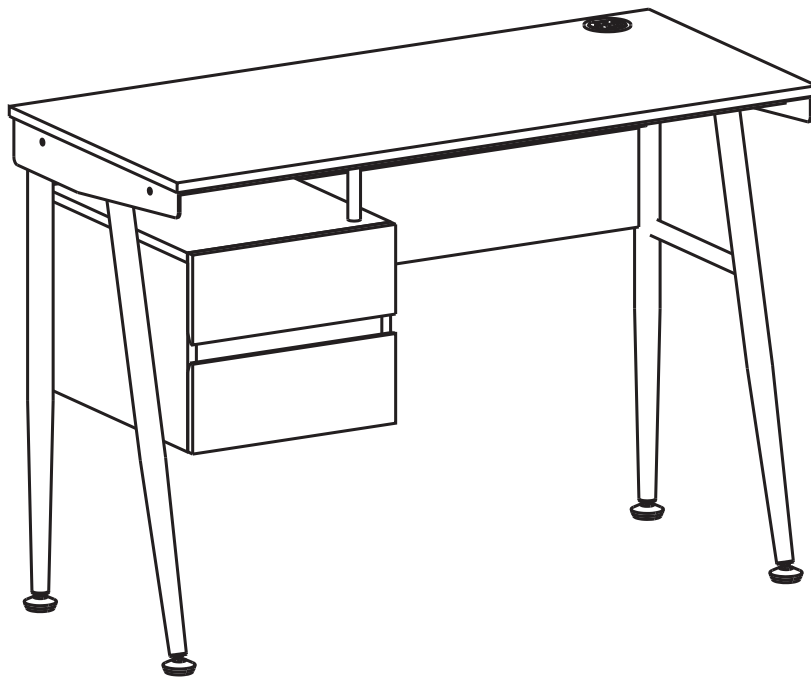


English

# COMPUTER TABLE

## ASSEMBLY INSTRUCTION

Thanks for purchasing one of our products, please read carefully the assembly instructions before the installation (Attention: Do not tighten the screws before all screws are in place).



**TWO PEOPLE REQUIRED**

**MODEL CT-3541**

**General Care:**

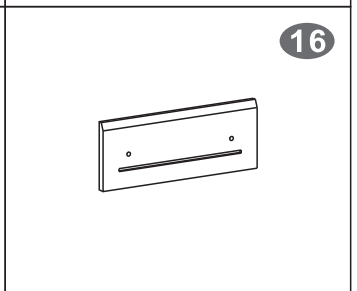
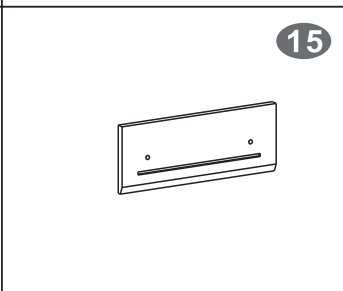
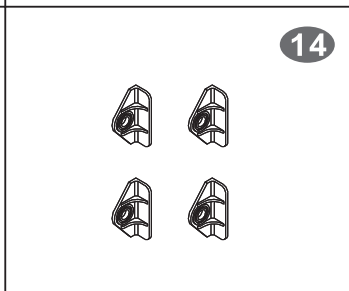
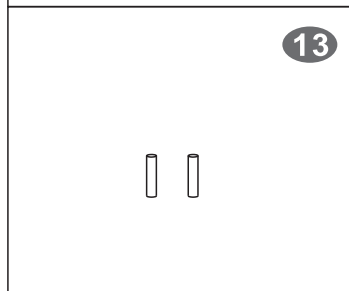
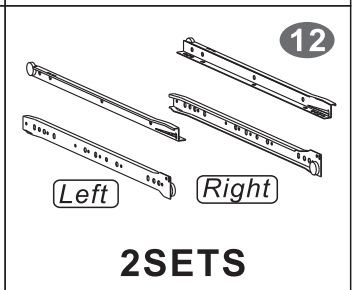
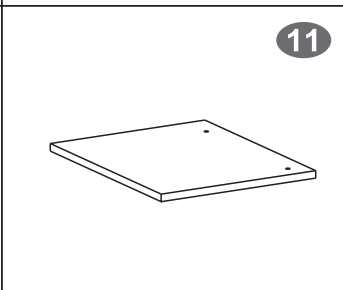
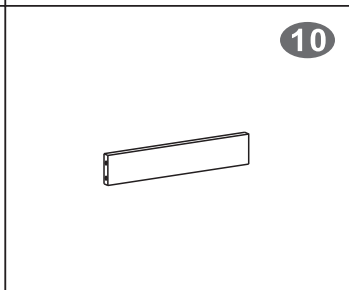
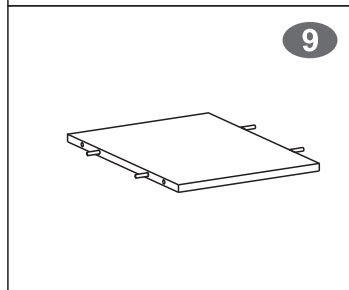
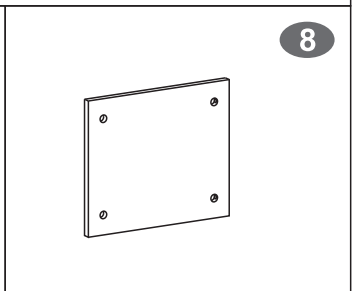
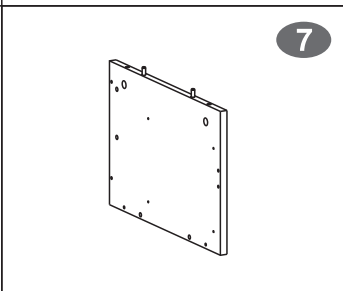
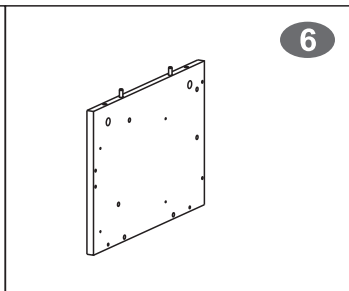
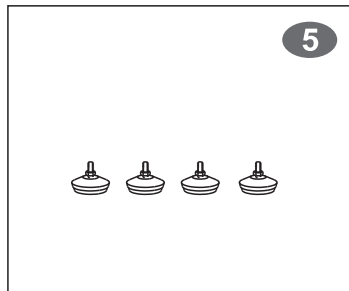
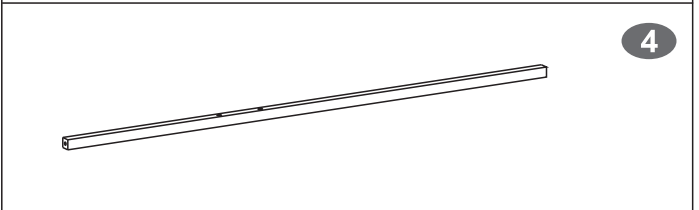
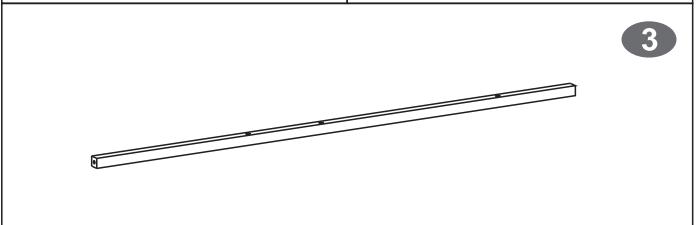
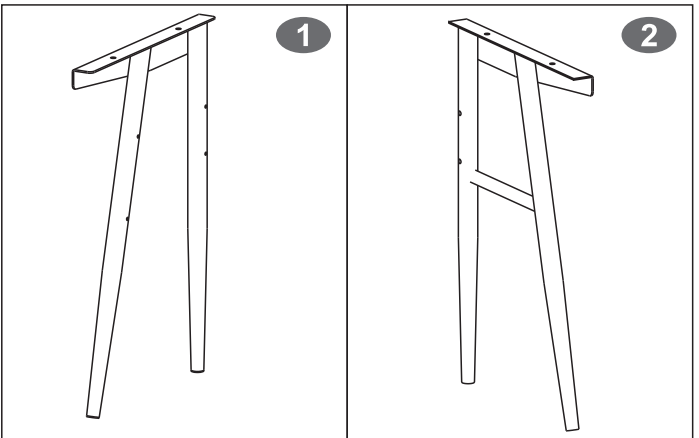
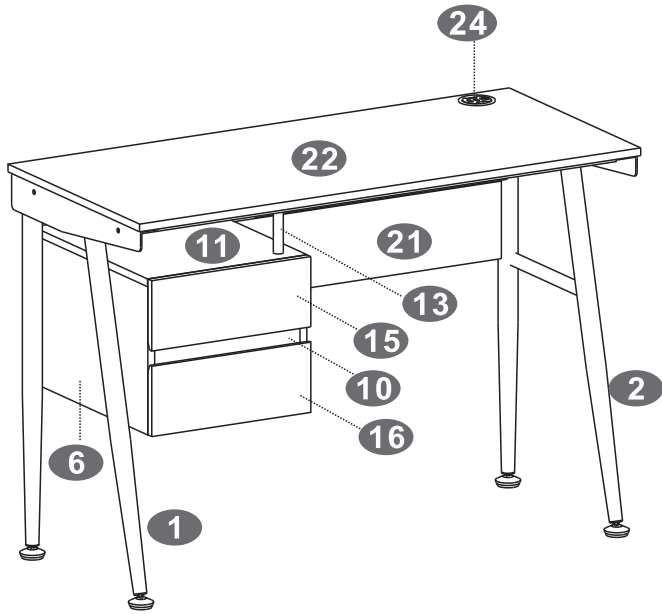
-Keep your furniture out direct sunlight-Use desk pads and coasters to protect the surface from dents, scratches, and moisture from hot or cold liquids.

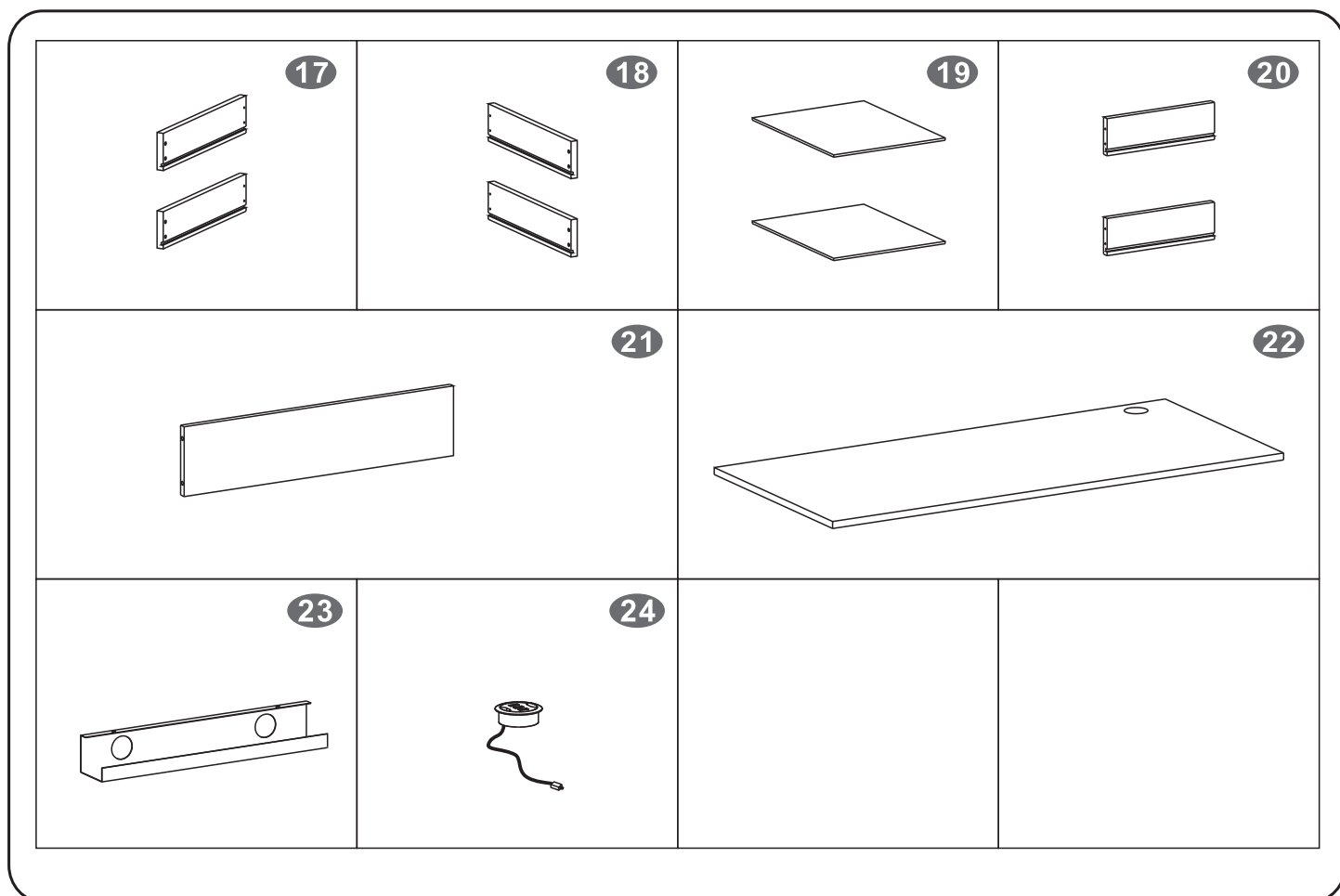
**Cleaning:**

-For cleaning, wipe the surface with a damp (not wet) cloth or wipe dry with a clean lint free cotton cloth.  
-Window cleaning liquid or a similar cleaning liquid can be used to clean glass surface.



▀PARTS LIST







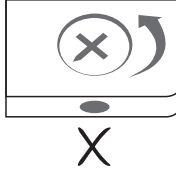
▪SCREWS LIST

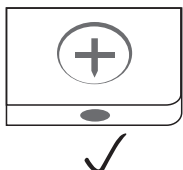
PART	QTY.	ITEM	
<b>A</b>	16	6X40 MM	
<b>B</b>	24	3X15 MM	
<b>C</b>	8	4X35 MM	
<b>D</b>	8	6X15 MM	
<b>E</b>	6	6X25 MM	
<b>F</b>	8	6X30 MM	
<b>G</b>	3	6X40 MM	

PART	QTY.	ITEM	
<b>H</b>	2	6X65 MM	
<b>I</b>	8	Φ 16 MM	
<b>J</b>	2	M6	
<b>K</b>	1	Φ 18 MM	
	1		
	1		

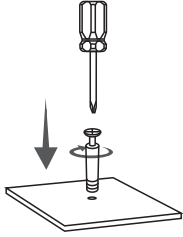
▪ 6X40MM BOLT INSTALLATION AS BELOW:

 Bolt	
 Connecting piece	

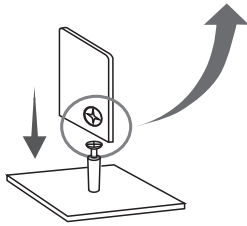
  
**X**  
 Adjust connecting piece direction if condition as illustrated

  
**✓**  
 Insert bolt when Connecting piece under Such condition

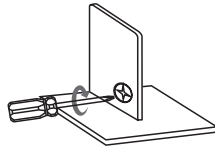
A1.



A2.

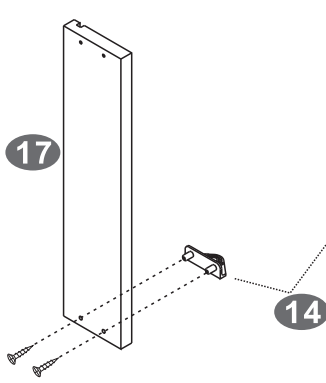


A3.

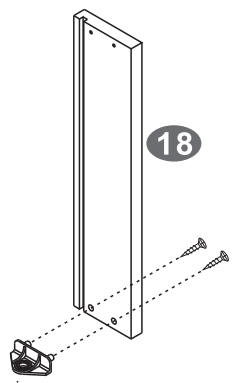


▪ ASSEMBLY STEPS:

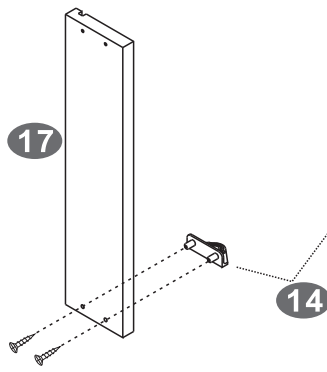
1



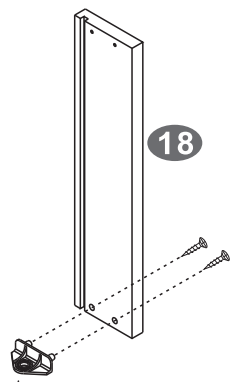
17 14



18 14



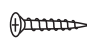
17 14




18 14

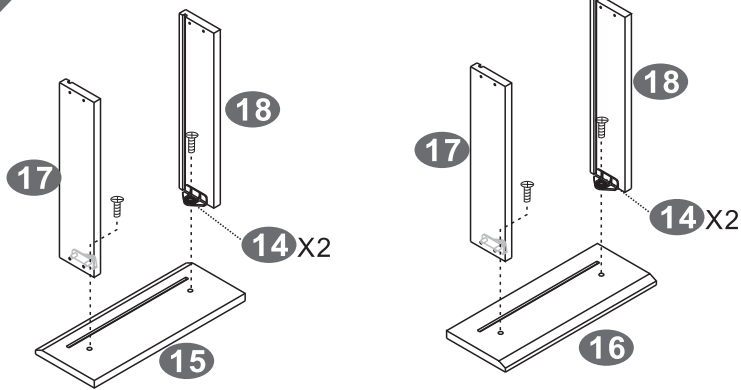
▪ SCREWS

**B** 3X15 MM

 8PCS



2



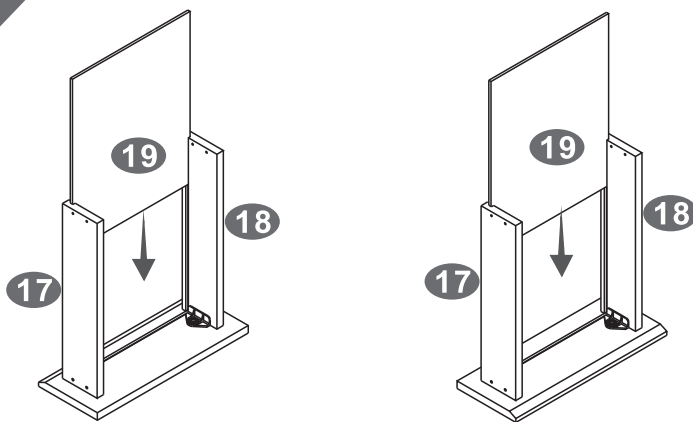
■ SCREWS

**D** 6X15 MM

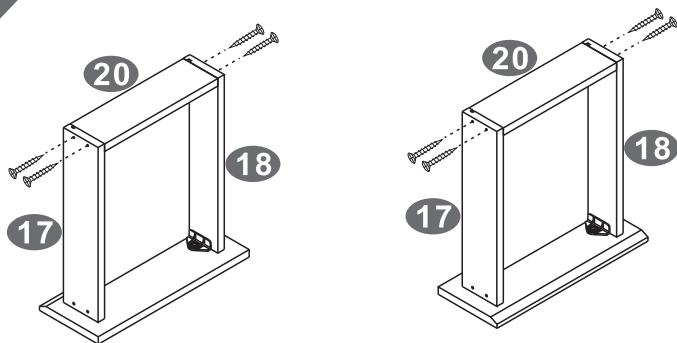
4PCS



3



4



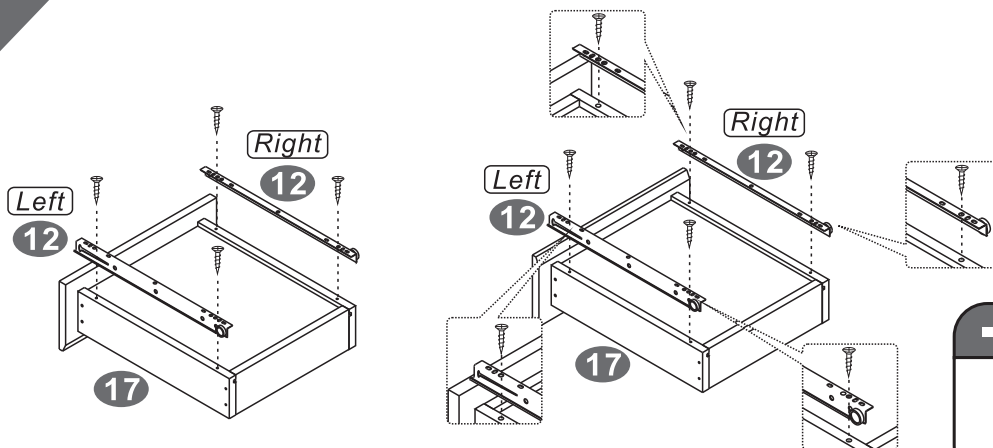
■ SCREWS

**C** 4X35 MM

8PCS



5



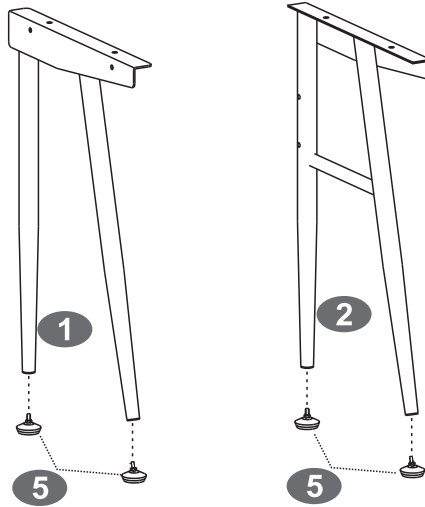
■ SCREWS

**B** 3X15 MM

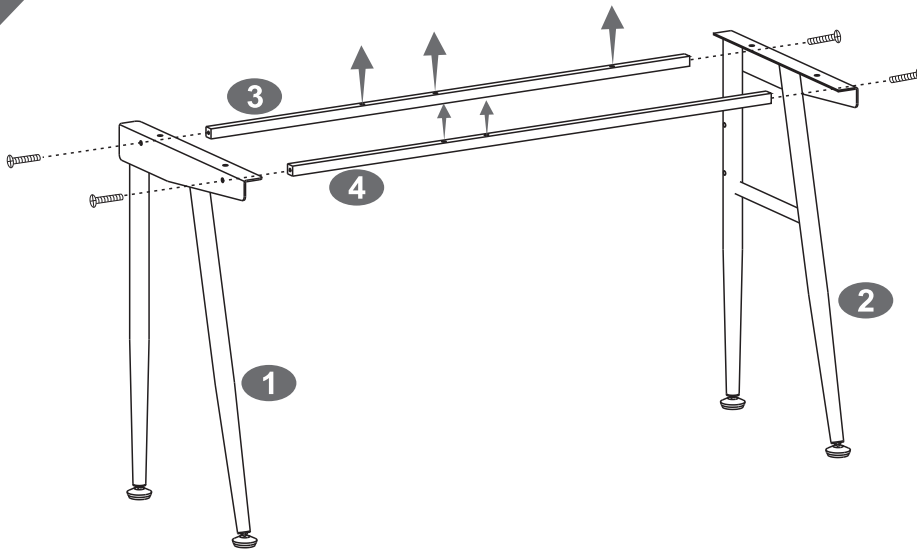
8PCS



6



7



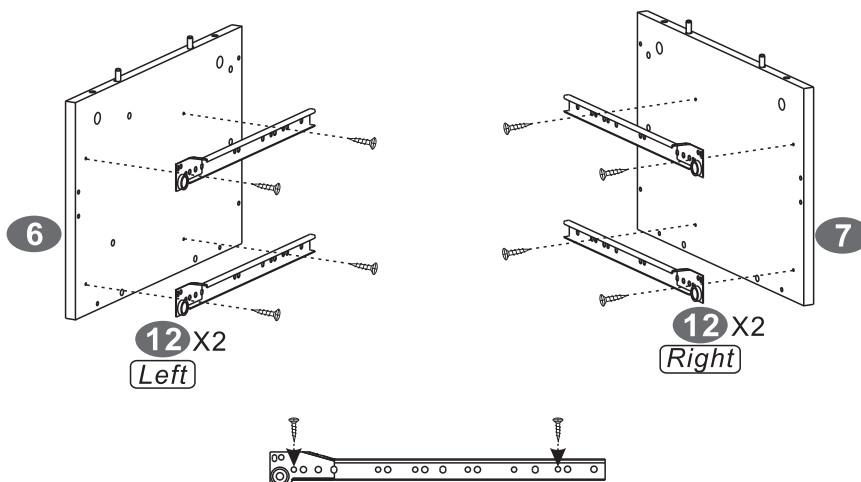
■ SCREWS

**E** 6X25 MM

4PCS



8



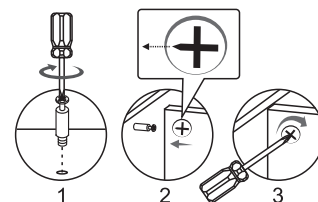
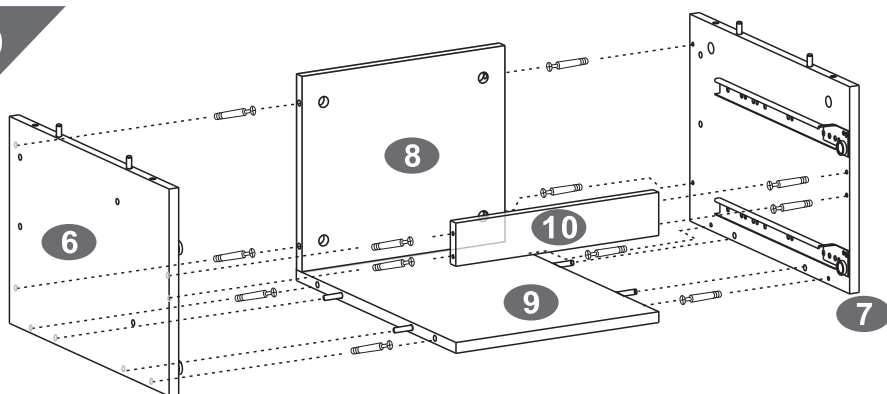
■ SCREWS

**B** 3X15 MM

8PCS



9



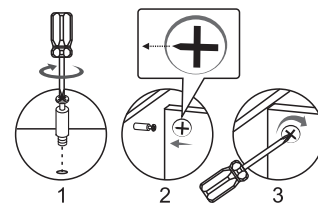
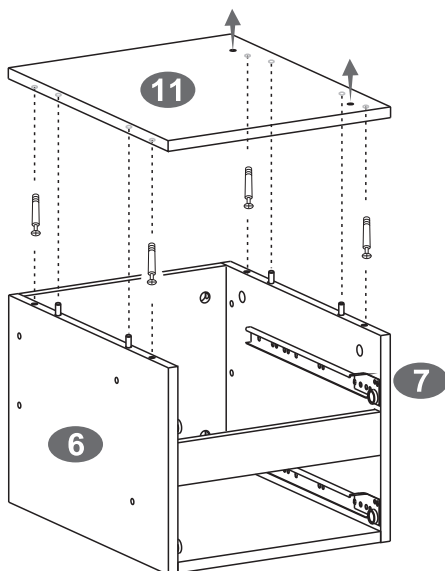
▪ SCREWS

**A** 6X40 MM

12PCS



10



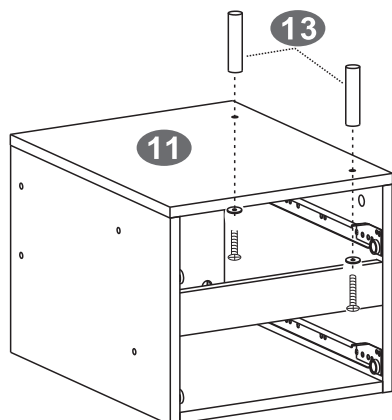
▪ SCREWS

**A** 6X40 MM

4PCS



11



▪ SCREWS

**F** 6X30 MM

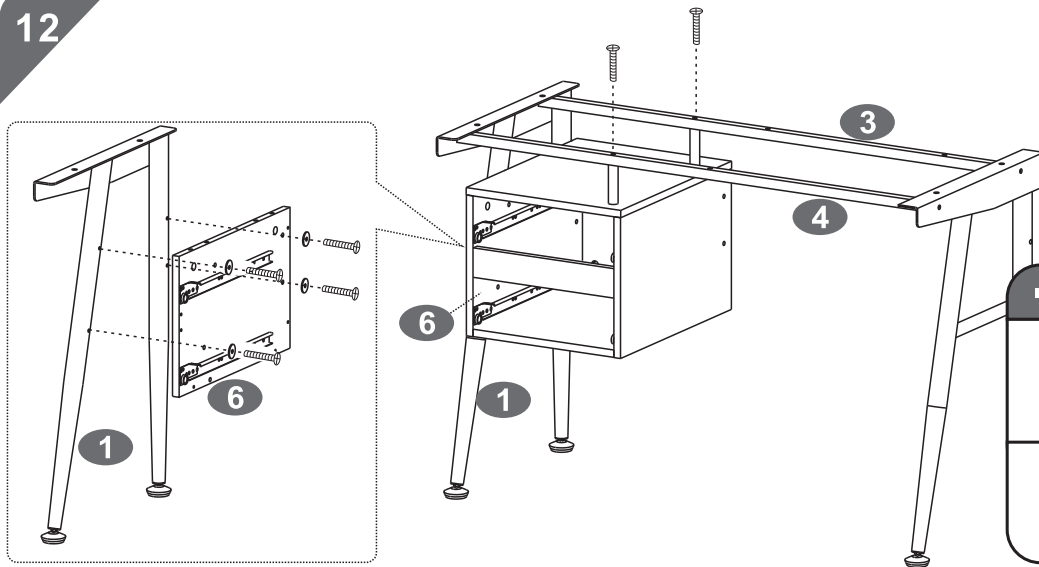
2PCS

**I**  $\Phi$  16 MM

2PCS



12



▪ SCREWS

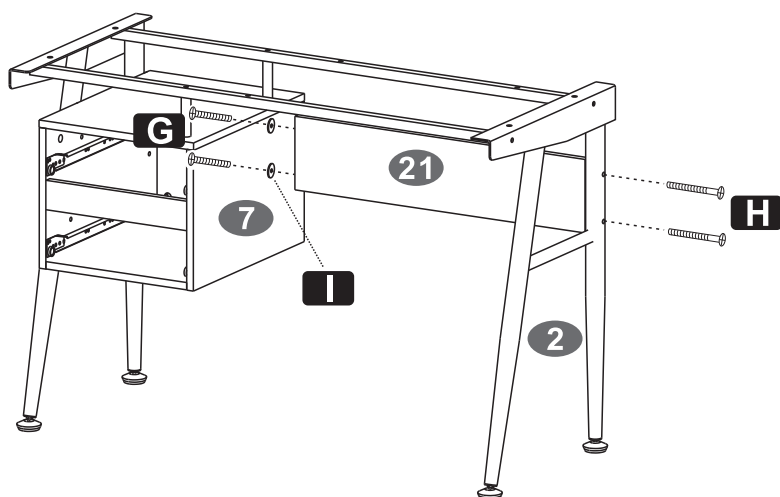
**F** 6X30 MM

6PCS

**I**  $\Phi$  16 MM

4PCS

13



▪ SCREWS

**G** 6X40 MM

2PCS

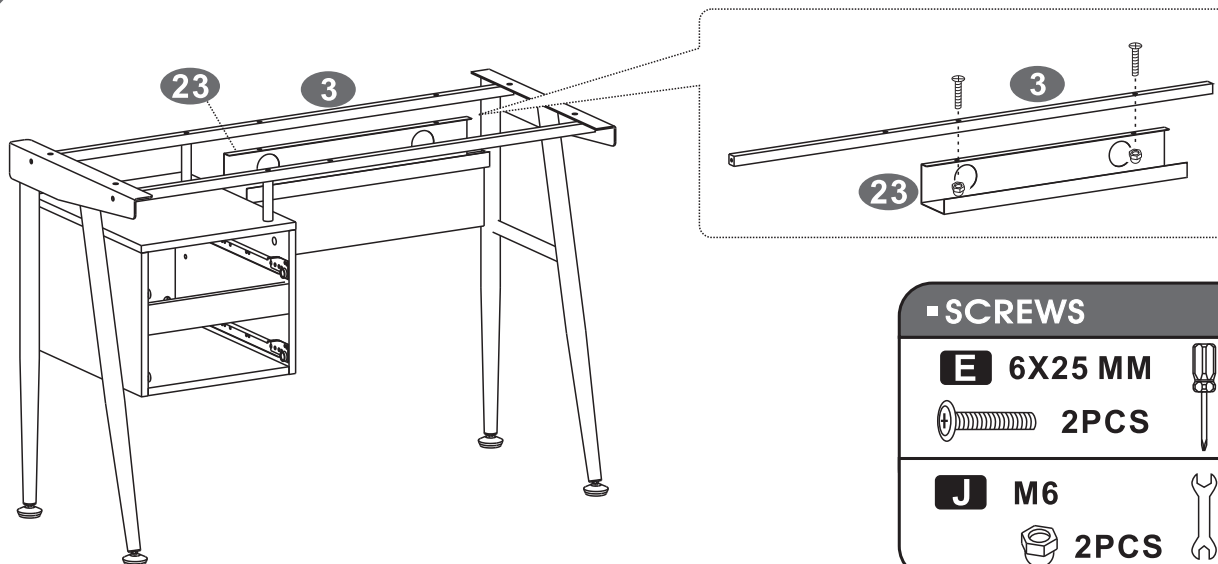
**H** 6X65 MM

2PCS

**I**  $\Phi$  16 MM

2PCS

14



▪ SCREWS

**E** 6X25 MM

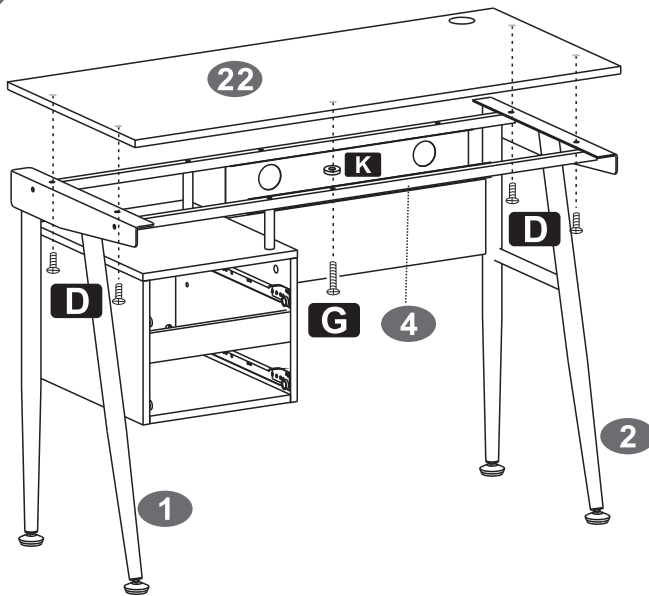
2PCS

**J** M6

2PCS



15



SCREWS

**D** 6X15 MM

4PCS

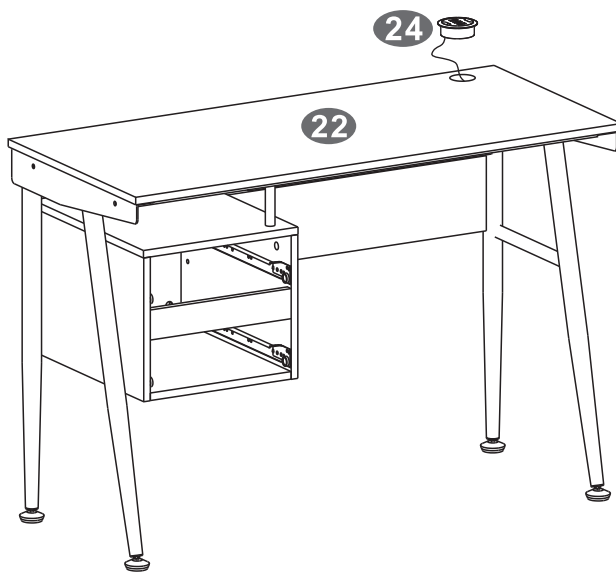
**G** 6X40 MM

1PC

**K**  $\Phi$  18 MM

1PC

16



17

