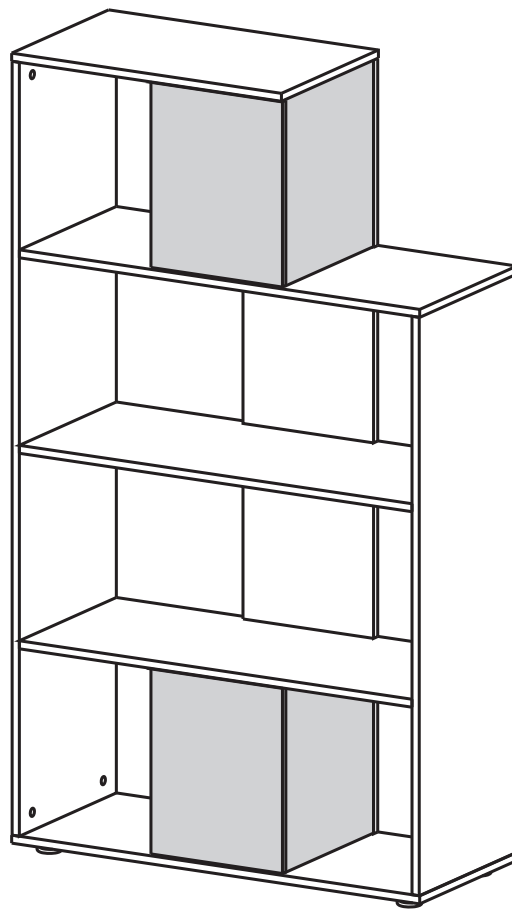


English

STORE CABINET

ASSEMBLY INSTRUCTION

Thanks for purchasing one of our products, please read carefully the assembly instructions before the installation (Attention: Do not tighten the screws before all screws are in place).



TWO PEOPLE REQUIRED

MODEL MB-5050

General Care:

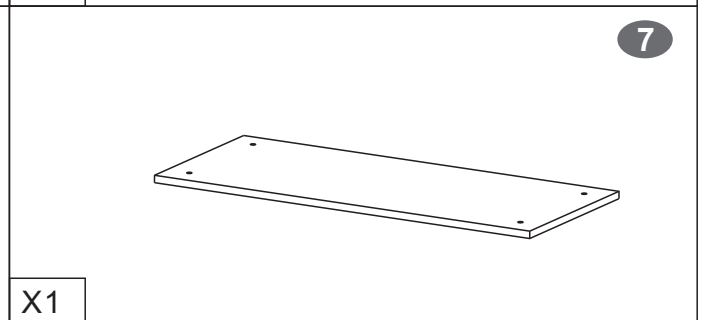
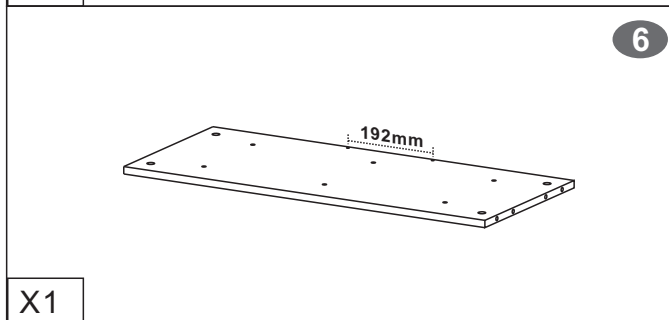
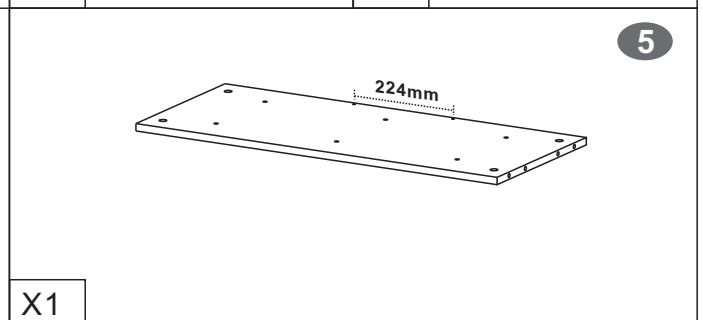
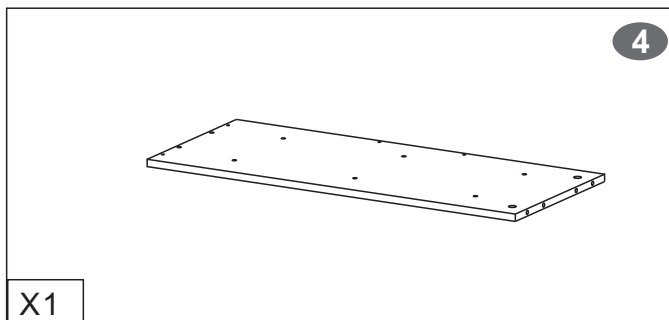
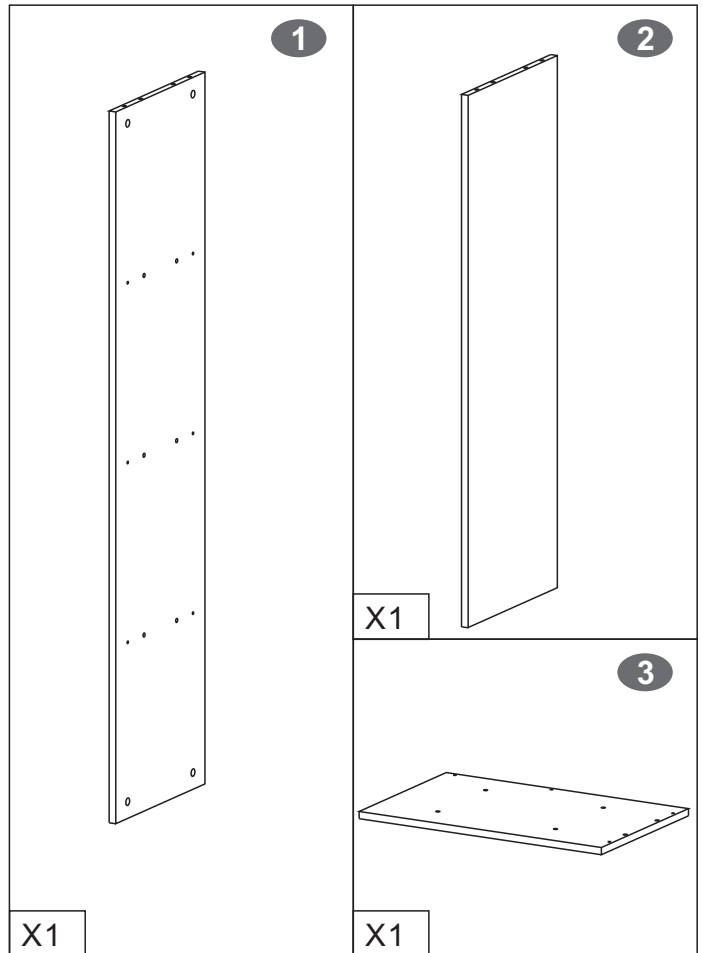
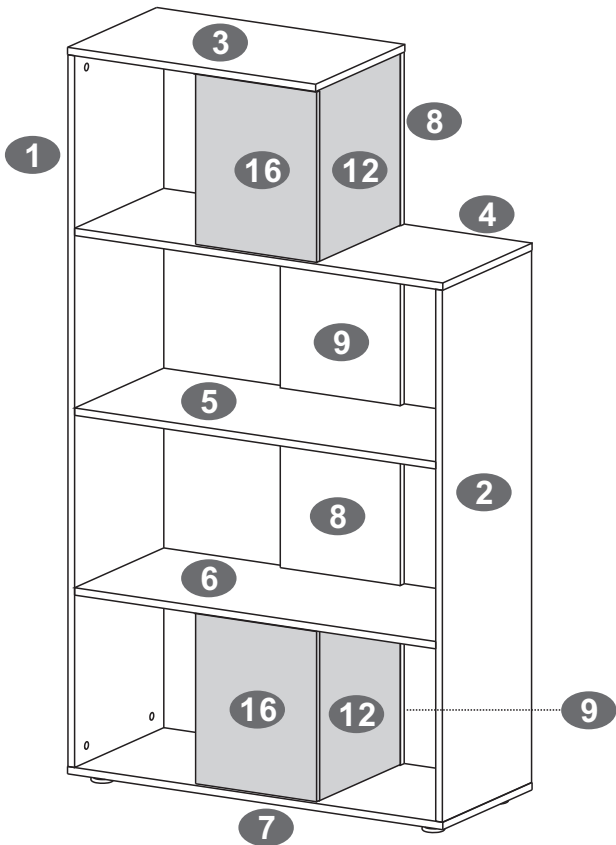
-Keep your furniture out direct sunlight-Use desk pads and coasters to protect the surface from dents,scratches,and moisture from hot or cold liquids.

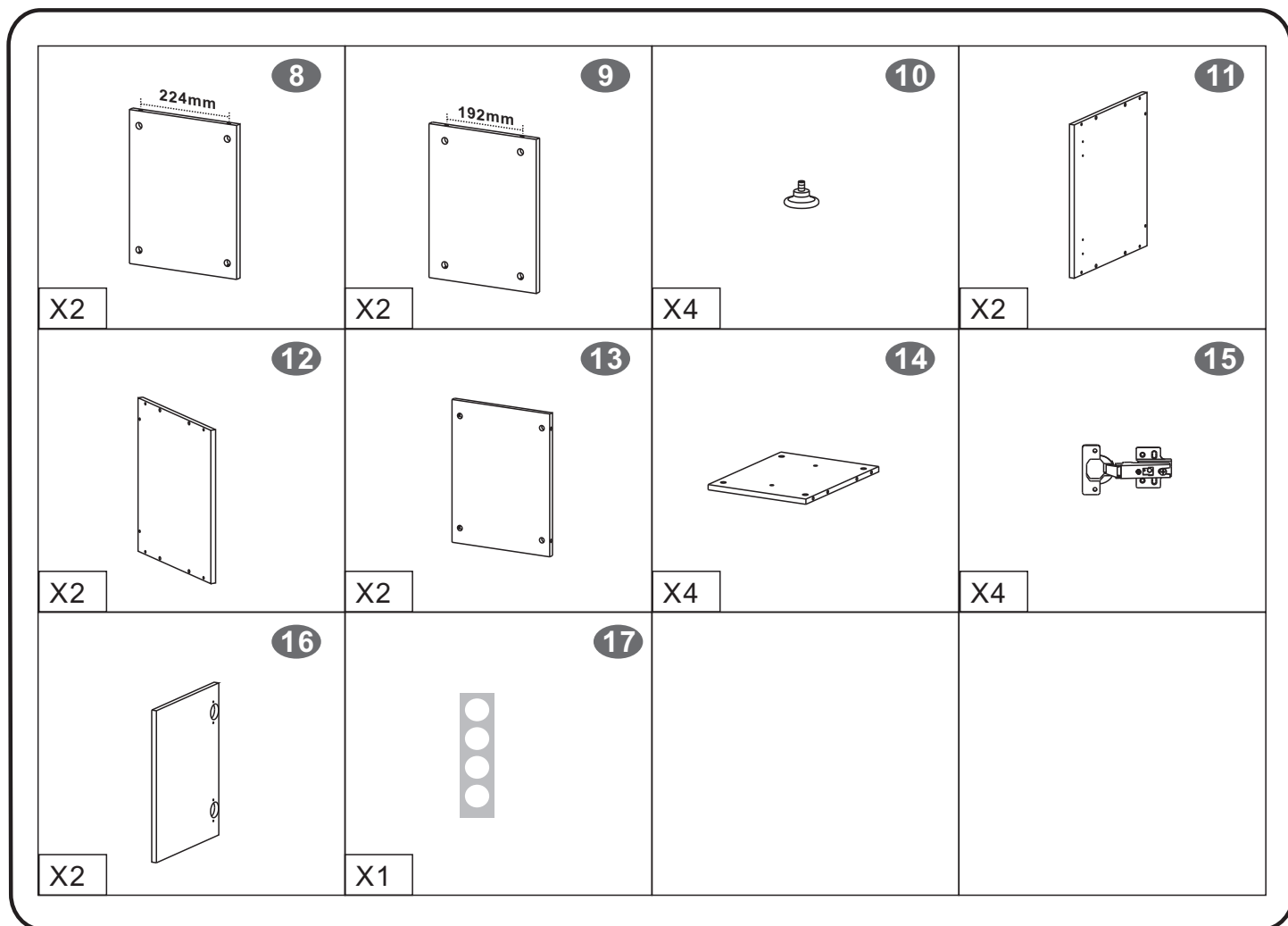
Cleaning:

-For cleaning, wipe the surface with a damp (not wet) cloth or wipe dry with a clean lint free cotton cloth.
-Window cleaning liquid or a similar cleaning liquid can be used to clean glass surface.



▀PARTS LIST



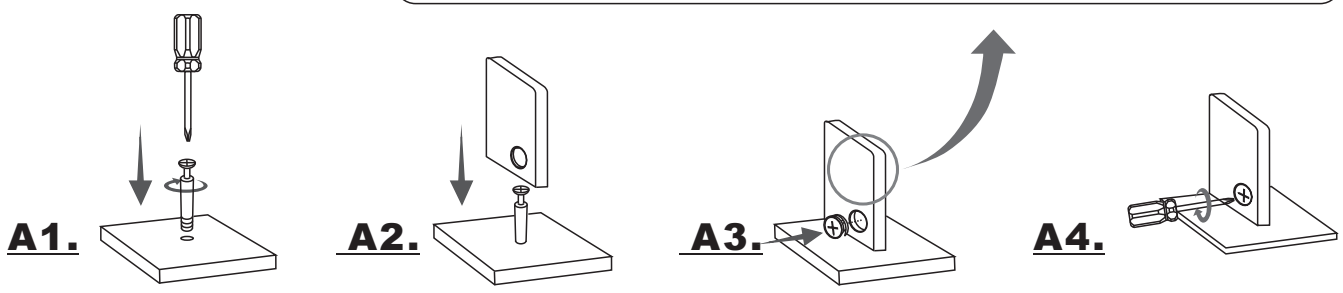
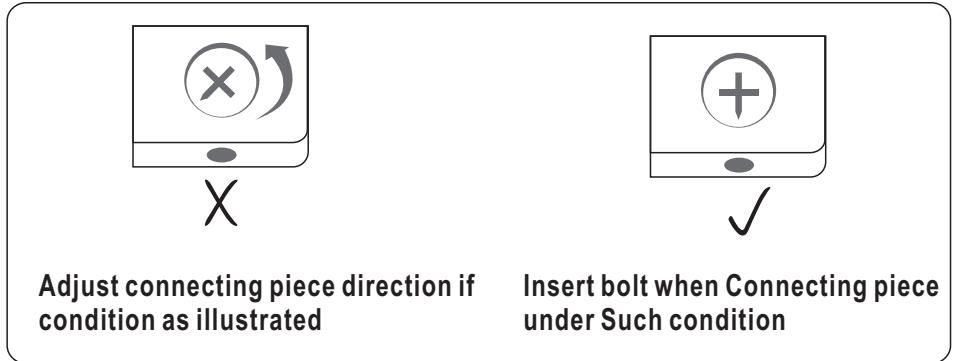
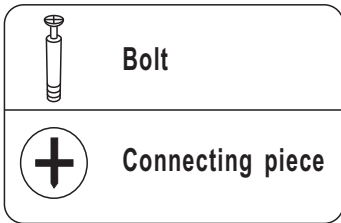


▪SCREWS LIST

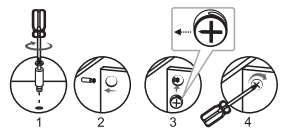
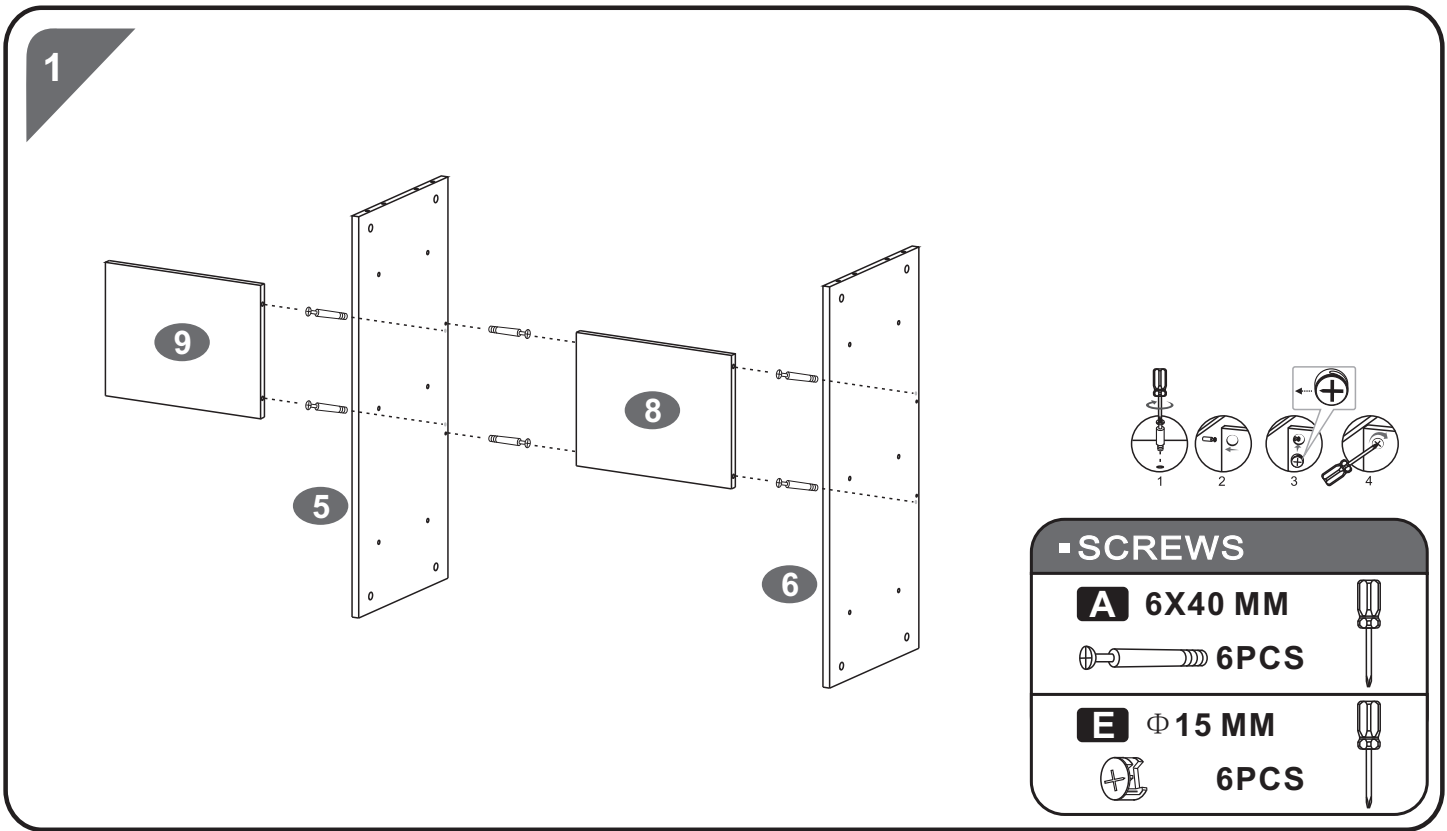
| PART | QTY. | ITEM | |
|----------|------|---------|--|
| A | 34 | 6X40 MM | |
| B | 24 | 6X25 MM | |
| C | 16 | 3X15 MM | |
| D | 4 | 6X25 MM | |
| E | 34 | Φ 15 MM | |

| PART | QTY. | ITEM | |
|----------|------|---------|--|
| F | 24 | Φ 12 MM | |
| G | 18 | 8X30 MM | |
| H | 16 | 6X20 MM | |
| | 1 | | |
| | | | |

6X40MM & 6X25MM BOLT INSTALLATION AS BELOW:

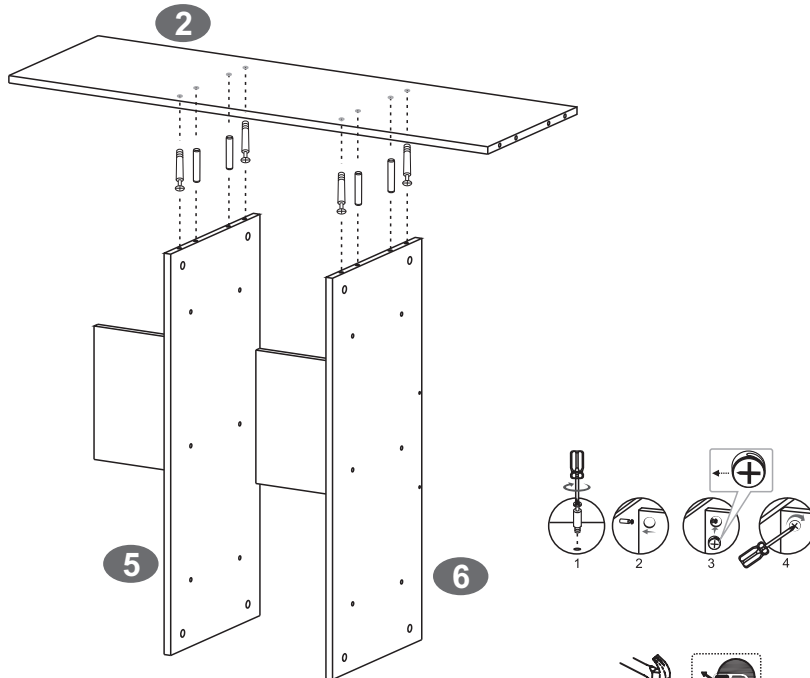


ASSEMBLY STEPS:



| SCREWS | |
|-----------------------|--|
| A 6X40 MM | |
| 6PCS | |
| E Φ 15 MM | |
| 6PCS | |

2



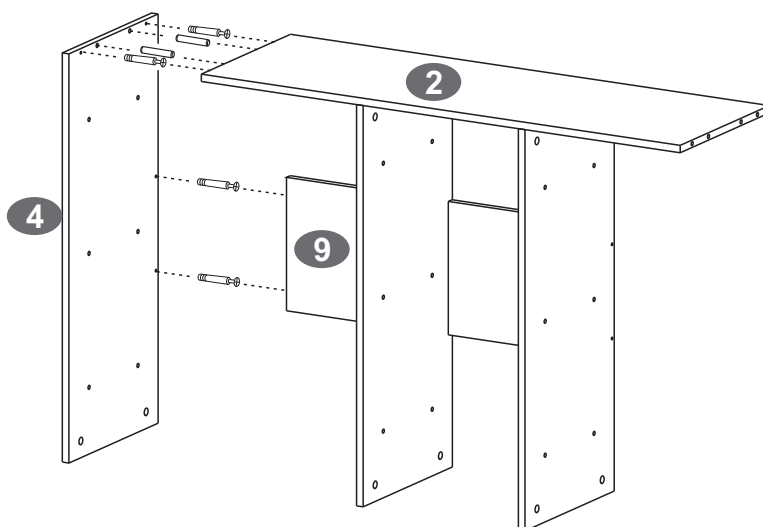
■ SCREWS

A 6X40 MM
4PCS

E Φ 15 MM
4PCS

G 8X30 MM
4PCS

3



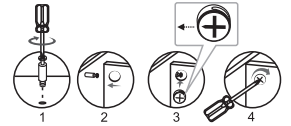
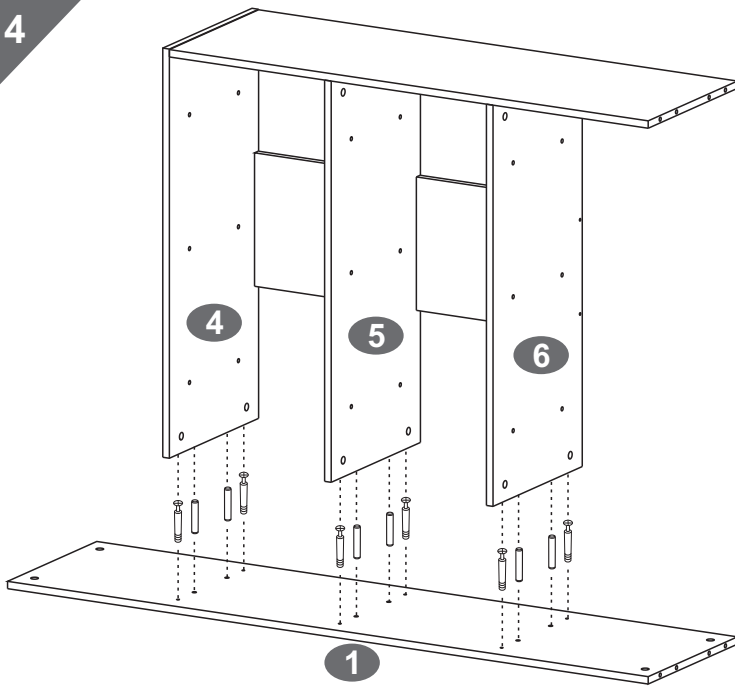
■ SCREWS

A 6X40 MM
4PCS

E Φ 15 MM
4PCS

G 8X30 MM
2PCS

4



■ SCREWS

A 6X40 MM

6PCS

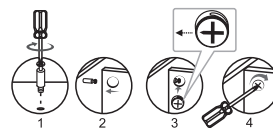
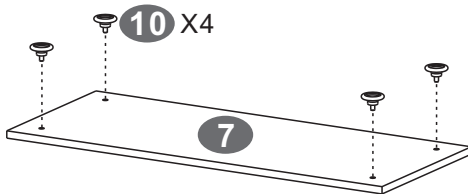
E Φ 15 MM

6PCS

G 8X30 MM

6PCS

5



■ SCREWS

A 6X40 MM

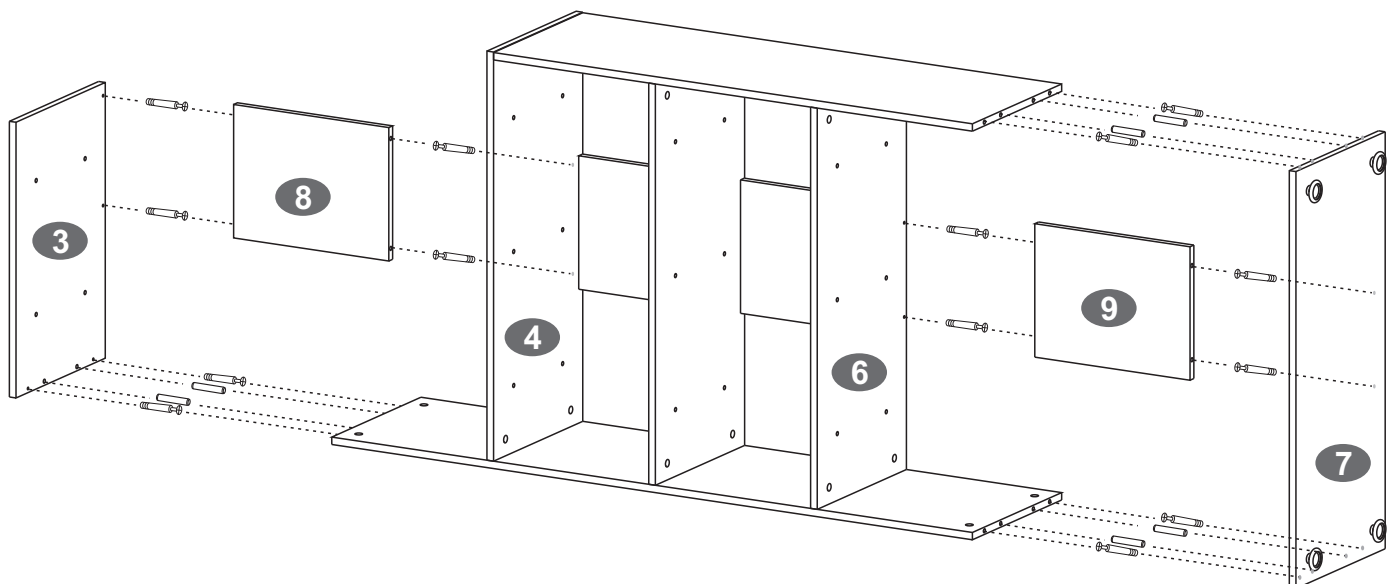
14PCS

E Φ 15 MM

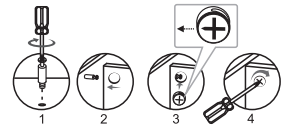
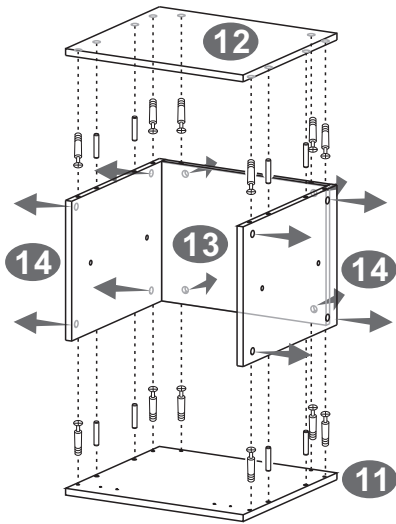
14PCS

G 8X30 MM

6PCS



6

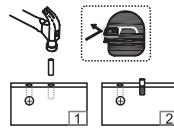


▪ SCREWS

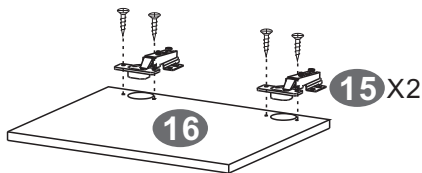
B 6X25 MM
12PCS

F Φ 12 MM
12PCS

H 6X20 MM
8PCS



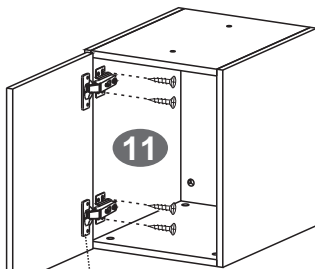
7



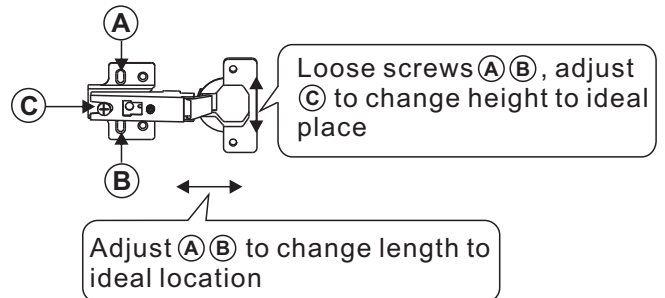
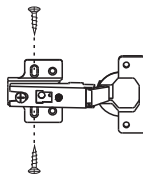
▪ SCREWS

C 3X15 MM
4PCS

8



15 X2



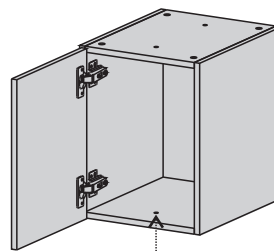
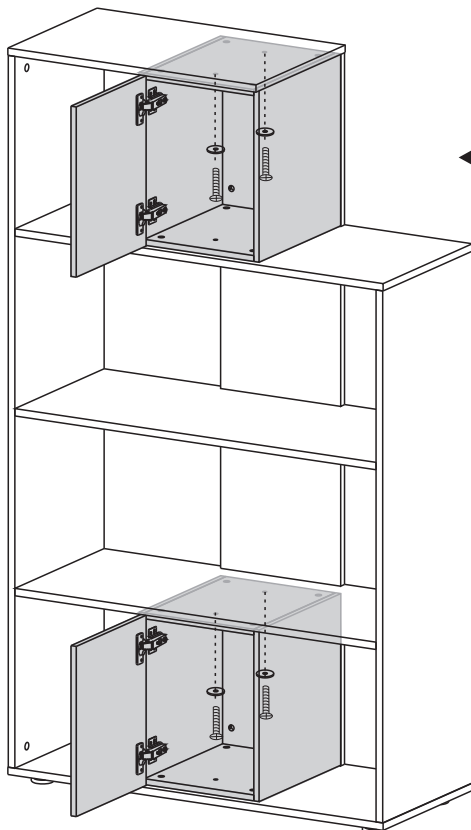
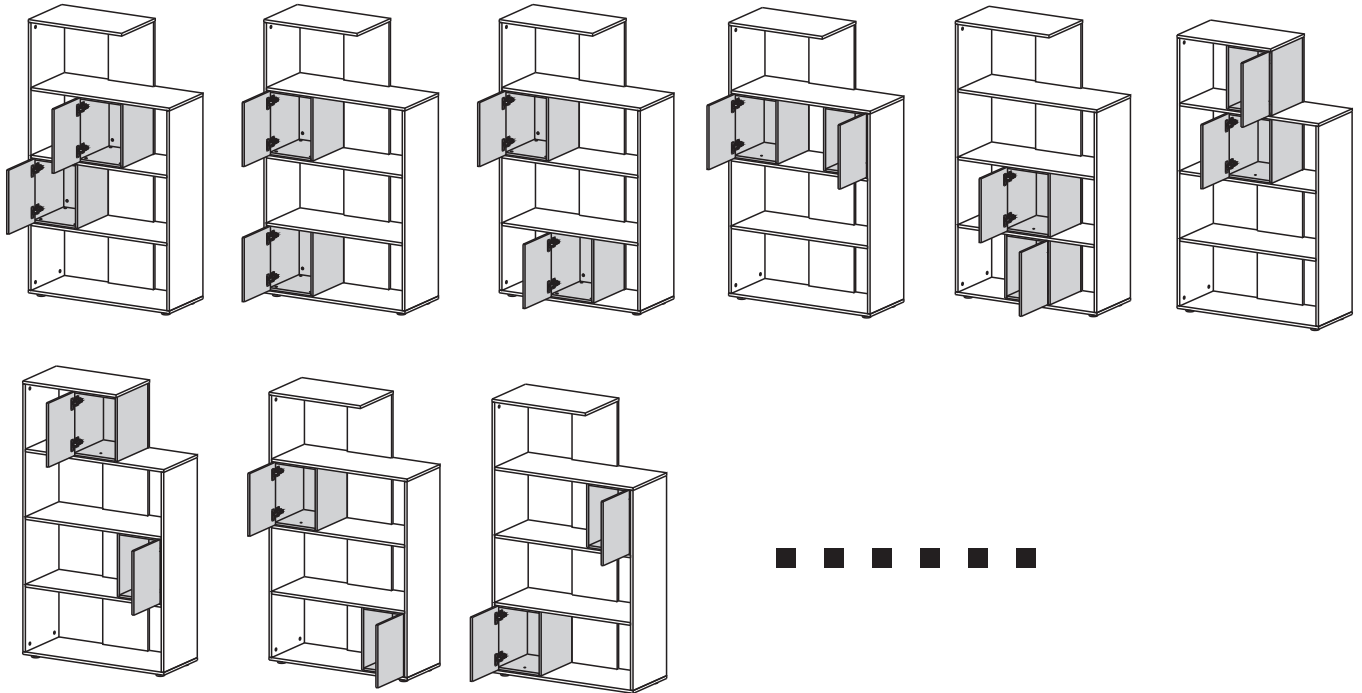
Repeat steps 6 to 8
to install other one

▪ SCREWS

C 3X15 MM
4PCS

9

** There are more options to assemble our desk, please choose it according to your preference.



17

■ SCREWS

D 6X25 MM

4PCS

