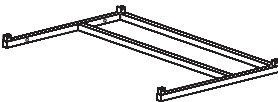
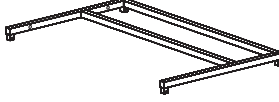

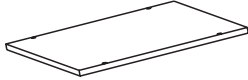




<p>1x1</p> 	<p>2x1</p> 	<p>3x4</p> 	<p>4x1</p> 
<p>Ax8</p>  <p>M6X12</p>	<p>Bx4</p>  <p>M6X25</p>		

